



# Panasonic

## Quick Reference Guide

Digital DSS Console

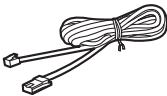
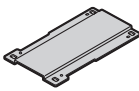
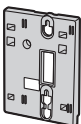

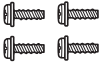
Model No. **KX-DT390**

Thank you for purchasing a Digital DSS Console. Please read this manual carefully before using this product and save this manual for future use. This manual is designed to be used with your Digital DSS Console and a Panasonic PBX.

The Digital DSS Console can be used with the following Panasonic Digital Proprietary Telephones (DPTs): KX-DT333, KX-DT343, and KX-DT346. The Digital DSS Console must be connected directly to the main unit.

**Note:** In this manual, the suffix of each model number is omitted unless necessary.

### Accessories (included)

<input type="checkbox"/> Telephone Line Cord: 1 	<input type="checkbox"/> Plate: 1 	<input type="checkbox"/> Wall Mounting Adaptor*1: 1 
<input type="checkbox"/> Screws for wall: 2 	<input type="checkbox"/> Screws for plate: 4 	

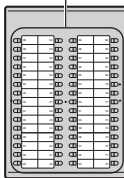
\*1 This telephone comes with the wall mounting adaptor already attached. To remove the adaptor, refer to step 1 on page 4.

## Location of Controls

**DSS Buttons with Busy Lamp Field (BLF):**  
To access an extension, simply press a DSS button.

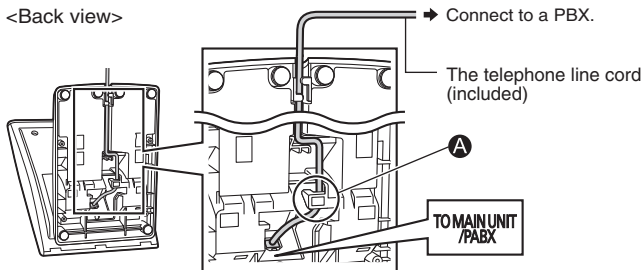
These buttons also can be assigned for the One-touch Dialling and reassigned to other features.

The BLF indicates the current status of the corresponding extension.



## Connection

<Back view>



### CAUTION:

Ensure the cord is inserted in the grooves and the hook (A) to prevent damage to the connector or the cord itself.

## Operation Board Angle Adjustment

The angle of the operation board can be set to one of eight angles (level 1 = 0°, level 8 = 45°).

### CAUTION:

Hold the operation board until the operation board is secured at the desired angle. Make sure you do not pinch your fingers when raising or lowering the operation board.

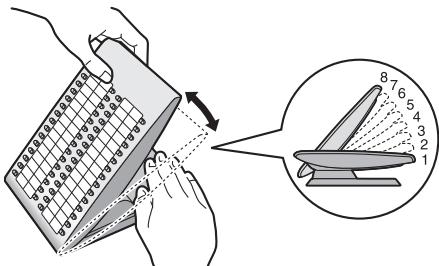
### To raise:

Gently lift the operation board one level at a time.

## Operation Board Angle Adjustment

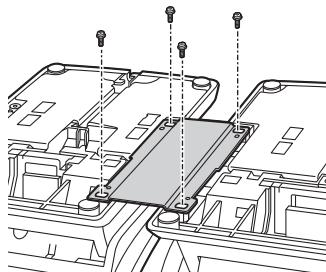
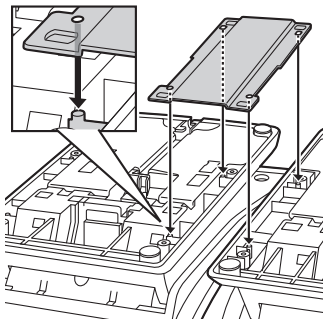
### To lower:

Raise the operation board to level 8. Next, with one hand on the base of the unit, lift the operation board again to release the latch, then slowly push the operation board down to level 1. If the operation board cannot be lowered to level 1, repeat this step.



## Attaching a DPT

1. Fit the protrusions on the KX-DT390 and a DPT into the 4 holes on the plate (included).
2. Attach the plate with the 4 screws (included).

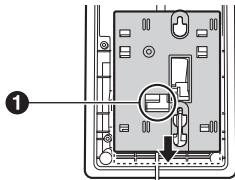


## Wall Mounting

### CAUTION:

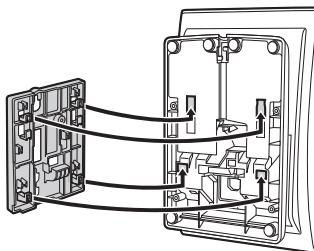
Do not mount this unit on a wall while attached to a DPT. Doing so may damage the wall mounting adaptor or, may cause the unit to fall, possibly resulting personal injury.

1. Remove the wall mounting adaptor from the unit as shown.
2. Set the operation board to level 1, then connect and secure the telephone line cord.



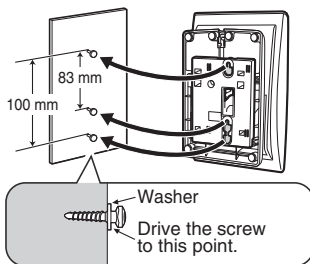
3. Attach the wall mounting adaptor as shown.

- Make sure the cord is not pinched by the wall mounting adaptor. When running the cord from the top of the unit, look through the opening in the wall mounting adaptor (1) to confirm that the cord is not being pinched.



4. Drive the 2 screws (included) into the wall either 83 mm or 100 mm apart, and mount the unit on the wall.

- You can find a wall mounting template on page 8.
- Make sure that the wall that the unit will be attached to is strong enough to support the unit (approx. 1 kg).
- Make sure the cord is securely fastened to the wall.
- When this unit is no longer in use, make sure to detach it from the wall.



### **When using a KX-DT390 Digital DSS Console, keep the following conditions in mind.**

- If you are having problems making calls, unplug the extension line and connect a known working Digital DSS Console. If the known working DSS Console operates properly, have the defective DSS Console repaired by an authorised Panasonic factory service centre. If the known working DSS Console does not operate properly, check the PBX and the internal extension wiring.
- Wipe the unit with a soft cloth. Do not clean the unit with abrasive powders or with chemical agents such as benzene or thinner.
- This unit is designed to aid the visually handicapped to locate dial keys and buttons.
- This unit is designed to be installed under controlled conditions of ambient temperature and a relative humidity.
- Avoid installing the unit in damp or humid environments, such as bathrooms or swimming pools.
- 999 and 112 can be dialled on the product after accessing the outside line for the purpose of making outgoing calls to the BT emergency (999) and (112) services (United Kingdom only).

### **Take special care to follow the safety suggestions listed below.**

#### **Installation**

##### **Environment**

- 1) Do not use this unit near water, for example, near a bathtub, washbowl or sink. Damp basements should also be avoided.
- 2) Keep the unit away from heating appliances and devices that generate electrical noise, such as fluorescent lamps, motors and televisions. These noise sources can interfere with the performance of the unit. It also should not be placed in rooms where the temperature is less than 5 °C or greater than 40 °C.

##### **Placement**

- 1) Do not place heavy objects on top of this unit.
- 2) Care should be taken so that objects do not fall onto, and liquids are not spilled into, the unit. Do not subject this unit to excessive smoke, dust, moisture, mechanical vibration, shock or direct sunlight.
- 3) Place the unit on a flat surface.

## ***Important Information***

---

### **WARNING:**

TO PREVENT POSSIBLE FIRE OR ELECTRIC SHOCK, DO NOT EXPOSE THIS UNIT TO RAIN OR MOISTURE.

DISCONNECT THE TELEPHONE LINE CORD FROM THIS PRODUCT IF THIS PRODUCT EMITS SMOKE, AN ABNORMAL SMELL OR MAKES UNUSUAL NOISE. THESE CONDITIONS CAN CAUSE FIRE OR ELECTRIC SHOCK. CONFIRM THAT SMOKE HAS STOPPED AND CONTACT AN AUTHORISED SERVICE CENTRE.

# CE 1731

This product is intended to be connected to a Panasonic PBX only. Panasonic Communications Company (U.K.) Ltd. declares that this equipment is in compliance with the essential requirements and other relevant provisions of Radio & Telecommunications Terminal Equipment (R&TTE) Directive 1999/5/EC.

Declarations of Conformity for the relevant Panasonic products described in this manual are available for download by visiting:

**<http://www.doc.panasonic.de>**

Contact to Authorised Representative:  
Panasonic Testing Centre  
Panasonic Marketing Europe GmbH  
Winsbergring 15, 22525 Hamburg, Germany

### Information for Users on Collection and Disposal of Old Equipment and used Batteries



These symbols on the products, packaging, and/or accompanying documents mean that used electrical and electronic products and batteries should not be mixed with general household waste.

For proper treatment, recovery and recycling of old products and used batteries, please take them to applicable collection points, in accordance with your national legislation and the Directives 2002/96/EC and 2006/66/EC.

By disposing of these products and batteries correctly, you will help to save valuable resources and prevent any potential negative effects on human health and the environment which could otherwise arise from inappropriate waste handling. For more information about collection and recycling of old products and batteries, please contact your local municipality, your waste disposal service or the point of sale where you purchased the items.

Penalties may be applicable for incorrect disposal of this waste, in accordance with national legislation.

#### **For business users in the European Union**

If you wish to discard electrical and electronic equipment, please contact your dealer or supplier for further information.

#### **Information on Disposal in other Countries outside the European Union**

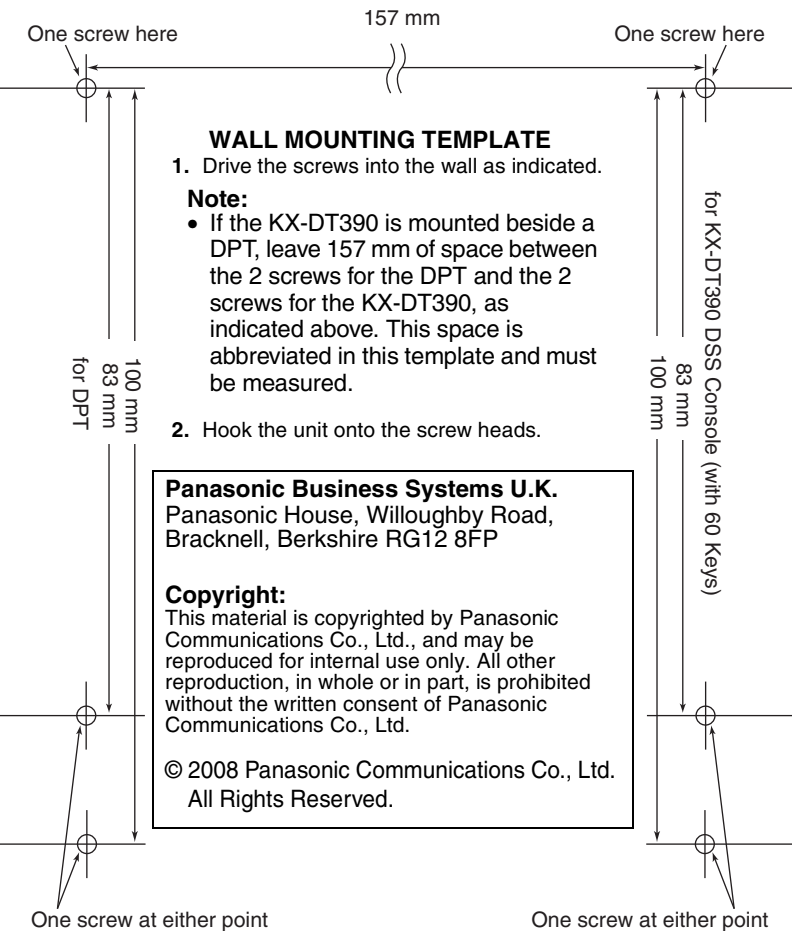
These symbols are only valid in the European Union. If you wish to discard these items, please contact your local authorities or dealer and ask for the correct method of disposal.

#### **Note for the battery symbol (bottom two symbol examples):**

This symbol might be used in combination with a chemical symbol. In this case it complies with the requirement set by the Directive for the chemical involved.



Cd



## WALL MOUNTING TEMPLATE

1. Drive the screws into the wall as indicated.

### Note:

- If the KX-DT390 is mounted beside a DPT, leave 157 mm of space between the 2 screws for the DPT and the 2 screws for the KX-DT390, as indicated above. This space is abbreviated in this template and must be measured.

2. Hook the unit onto the screw heads.

### Panasonic Business Systems U.K.

Panasonic House, Willoughby Road,  
Bracknell, Berkshire RG12 8FP

### Copyright:

This material is copyrighted by Panasonic Communications Co., Ltd., and may be reproduced for internal use only. All other reproduction, in whole or in part, is prohibited without the written consent of Panasonic Communications Co., Ltd.

© 2008 Panasonic Communications Co., Ltd.  
All Rights Reserved.